

TECHNICAL DATA SHEET

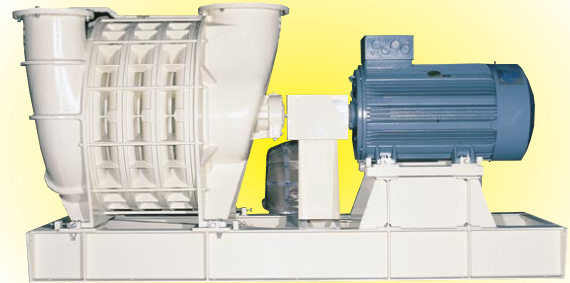
TECHNICAL DATA

Number of stage : 1 thru 6
 Inlet connection : 24" (612 mm) flange, matches 125# ANSI
 Outlet connection : 20" (511 mm) flange, matches 125# ANSI
 or 18" (460 mm) flange, matches 125# ANSI
 Operating speed : 3550 rpm in direct drive (60Hz)
 Lubrication : Oil type with constant level
 Impeller diameter : From 34" (864 mm) to 36" (915 mm)
 Impeller tip speed : 443 fps (135 m/sec)
 Drive : Direct drive or gear box
 Vibration tolerance : 1.25 mils peak-to-peak (4.5 mm /s)
 Balance piston : From 3 to 6 stages with pipes connection
 Shaft end : 3" 3/4 (95 mm), inlet end drive standard

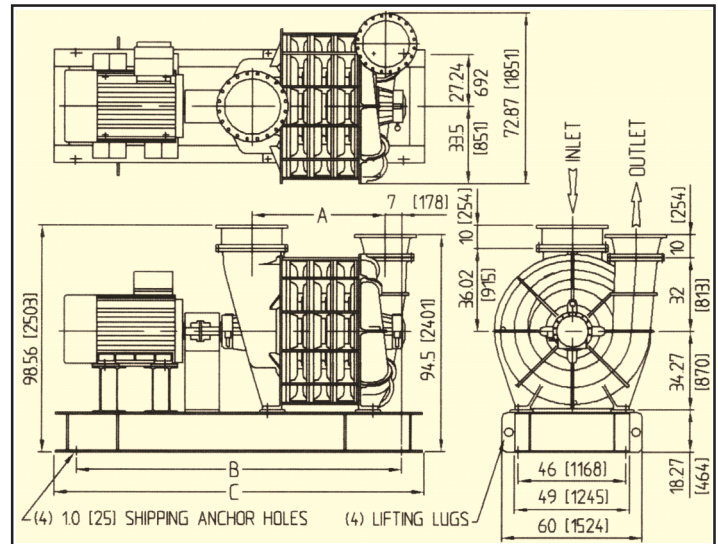
MATERIALS OF CONSTRUCTION

Heads, Sections, Bearing housings : Cast iron ASTM A-48 Class 35B
 Tie rods : 7/8" (22 mm) diameter cold drawn steel A60
 Joint sealing compound : RTV IS502 Silicone
 Seals (air) : Two graphit rings each end
 Seals (gas) : Four carbon rings each end with inert gas injection
 Bearings : Ball bearings 6320 C3 PER AFBMA B10 STANDARD
 Shaft : AISI 1038 Carbon steel or equivalent
 Impellers : Fabricated aluminium ASTM 6061
 Baffle rings : Stainless steel
 Motor pedestal : Structural steel.
 Base pads : Anchor bolts
 Noise level : In compliance with OSHA standards when machine is fully piped (certified tests available).

"600" SERIES

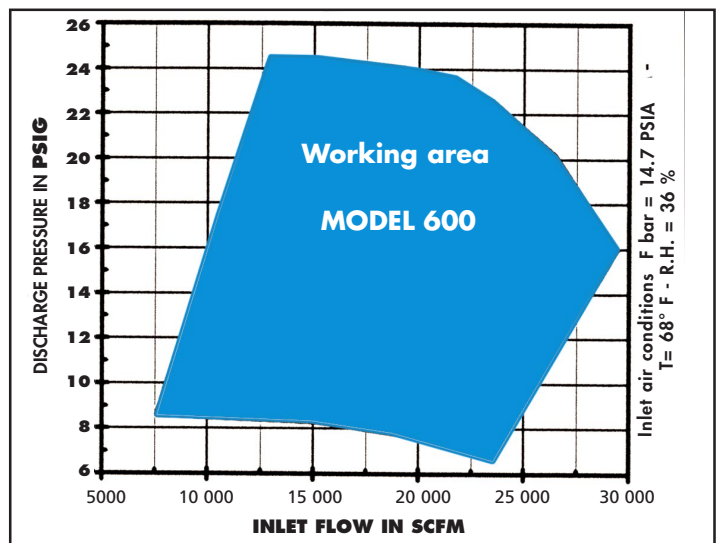


AIR & GAS



BLOWER SIZE	"A"	"B"	"C"	WEIGHT		ROTOR WK ²
				LBS	KG	(lb. ft ²)
60001	26.77 (680)	126.0 (3200)	144.0 (3658)	8600	3900	76.03
60002	36.85 (936)	138.0 (3505)	156.0 (3962)	10580	4800	128.55
60003	46.93 (1192)	162.0 (4115)	180.0 (4572)	12780	5800	181.07
60004	57.00 (1448)	162.0 (4115)	180.0 (4572)	14770	6700	233.59
60005	67.08 (1704)	186.0 (4724)	204.0 (5182)	16970	7700	286.11
60006	77.16 (1960)	186.0 (4724)	204.0 (5182)	18950	8600	338.11

DIMENSIONS ARE IN INCHES AND (MM)
 ACTUAL DIMENSIONS MAY VARY SLIGHTLY TO SUIT APPLICATION



Values, dimensions and reference in this brochure are approximate and intended as a guide only, not for construction and are subject to change without notice.

CONTINENTAL BLOWER LLC . CONTINENTAL BLOWER LLC . CONTINENTAL BLOWER LLC . CONTINENTAL BLOWER LLC .