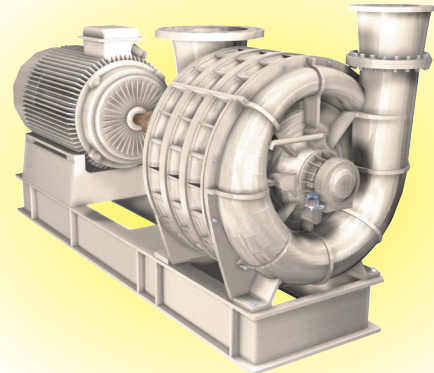


TECHNICAL DATA SHEET

TECHNICAL DATA

Number of stage : 1 thru 8
 Inlet connection : 18" (455 mm) flange, matches 125# ANSI
 Outlet connection : 14" (355 mm) flange, matches 125# ANSI
 Operating speed : 3550 rpm in direct drive (60Hz)
 Lubrication : Oil type with constant level
 Impeller diameter : 26" (662 mm)
 Impeller tip speed : 405 fps (122 m / sec)
 Drive : Direct drive or gear box or V-belts
 Vibration tolerance : 1.25 mils peak-to-peak (4.5 mm / s)
 Balance piston : From 4 to 8 stages with pipe connection
 Shaft end : 2" 9/16 (65 mm) , inlet end drive standard

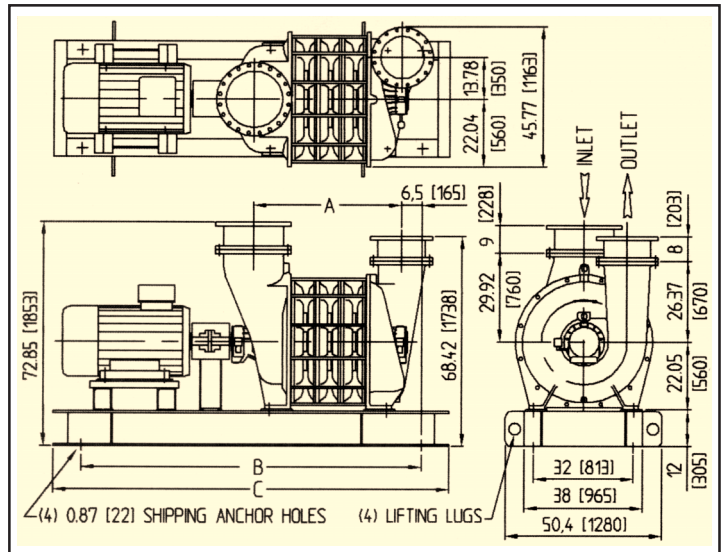
"400" SERIES



AIR & GAS

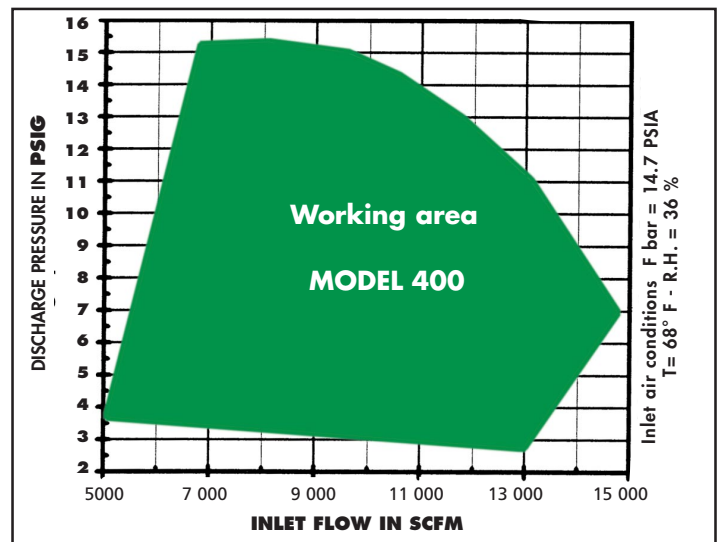
MATERIALS OF CONSTRUCTION

Heads, Sections, Bearing housings : Cast iron ASTM A-48 Class 35B
 Tie rods : 13/16" (20 mm) diameter cold drawn steel A60
 Joint sealing compound : RTV IS502 Silicone
 Seals (air) : Two graphit rings each end
 Seals (gas) : Four carbon rings each end with inert gas injection
 Bearings : Ball bearings 6316 C3 PER AFBMA B10 STANDARD
 Shaft : AISI 1038 Carbon steel or equivalent
 Impellers : Fabricated aluminium ASTM 6061
 Baffle rings : Stainless steel
 Motor pedestal : Structural steel.
 Base pads : Korfund Elasto-rib or equivalent
 Noise level : In compliance with OSHA standards when machine is fully piped (certified tests available)



BLOWER SIZE	"A"	"B"	"C"	WEIGHT		ROTOR WK ^c (lb. ft) ^a
				LBS	KG	FABRICATED ONLY
40001	23.81 (605)	102.0 (2591)	120.0 (3048)	3750	1700	8.86
40002	31.69 (805)	102.0 (2591)	120.0 (3048)	4410	2000	17.52
40003	39.56 (1005)	114.0 (2896)	132.0 (3353)	5180	2350	26.18
40004	47.44 (1205)	126.0 (3200)	144.0 (3658)	5950	2700	34.84
40005	55.31 (1405)	144.0 (3658)	162.0 (4115)	6830	3100	43.50
40006	63.18 (1605)	144.0 (3658)	162.0 (4115)	7500	3400	52.16
40007	71.06 (1805)	154.0 (3912)	172.0 (4369)	8380	3800	60.82
40008	78.93 (2005)	154.0 (3912)	172.0 (4369)	9040	4100	69.48

DIMENSIONS ARE IN INCHES AND (MM)
 ACTUAL DIMENSIONS MAY VARY SLIGHTLY TO SUIT APPLICATION



Values, dimensions and reference in this brochure are approximate and intended as a guide only, not for construction and are subject to change without notice.

CONTINENTAL BLOWER LLC . CONTINENTAL BLOWER LLC . CONTINENTAL BLOWER LLC . CONTINENTAL BLOWER LLC .